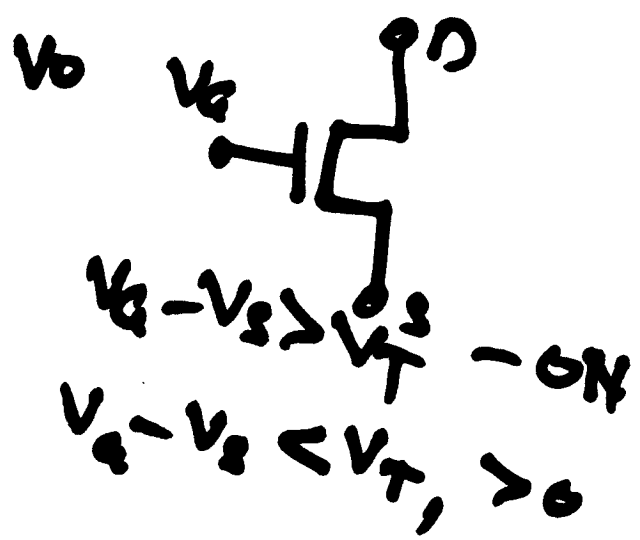
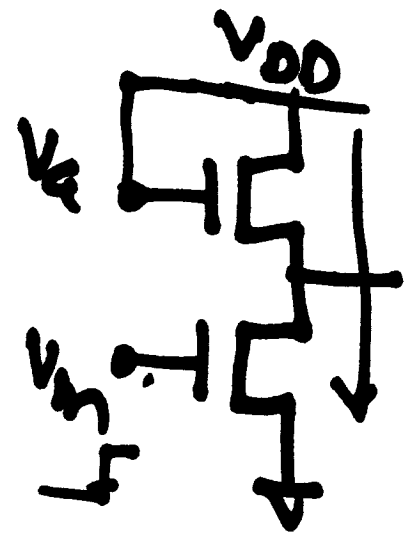
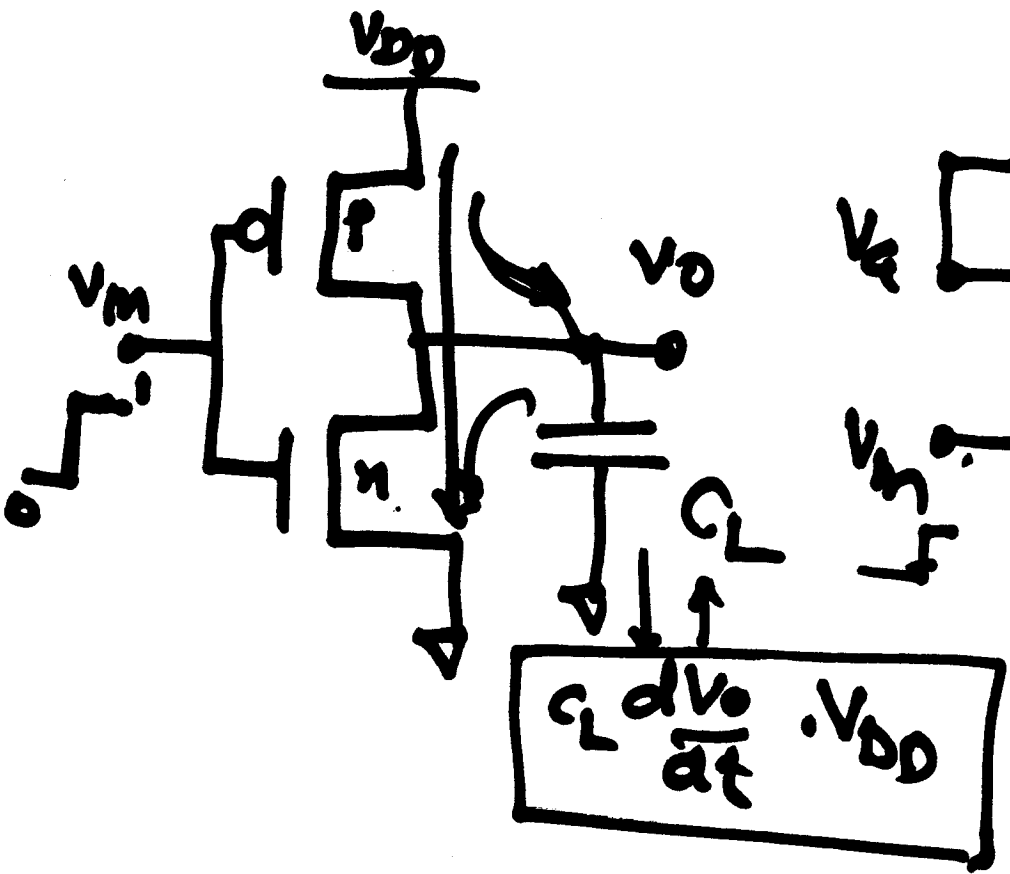
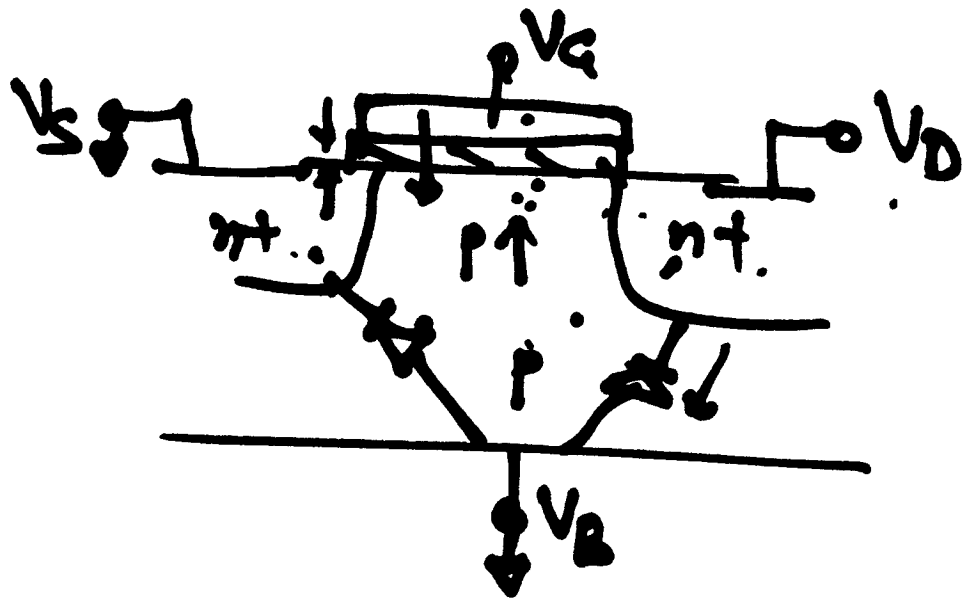
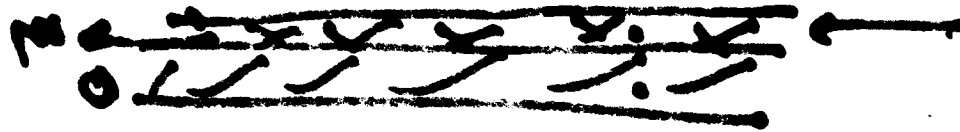


1. Generalities

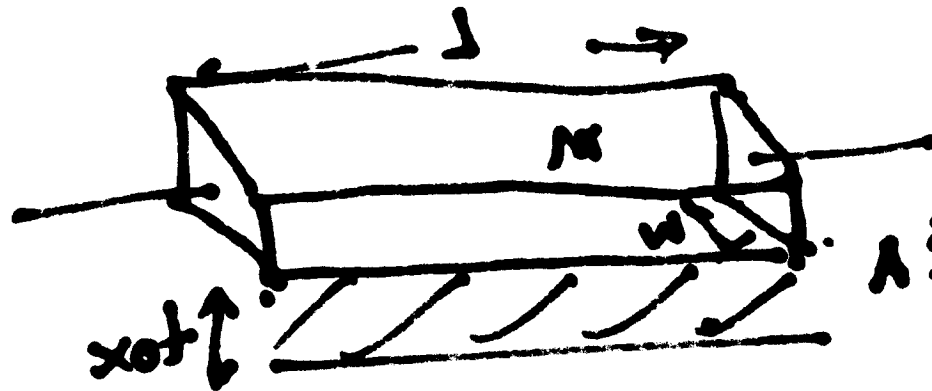
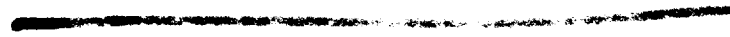
2 Power density \uparrow as we scale technology \downarrow







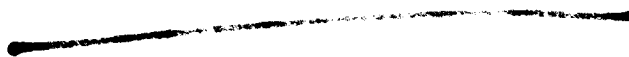
2

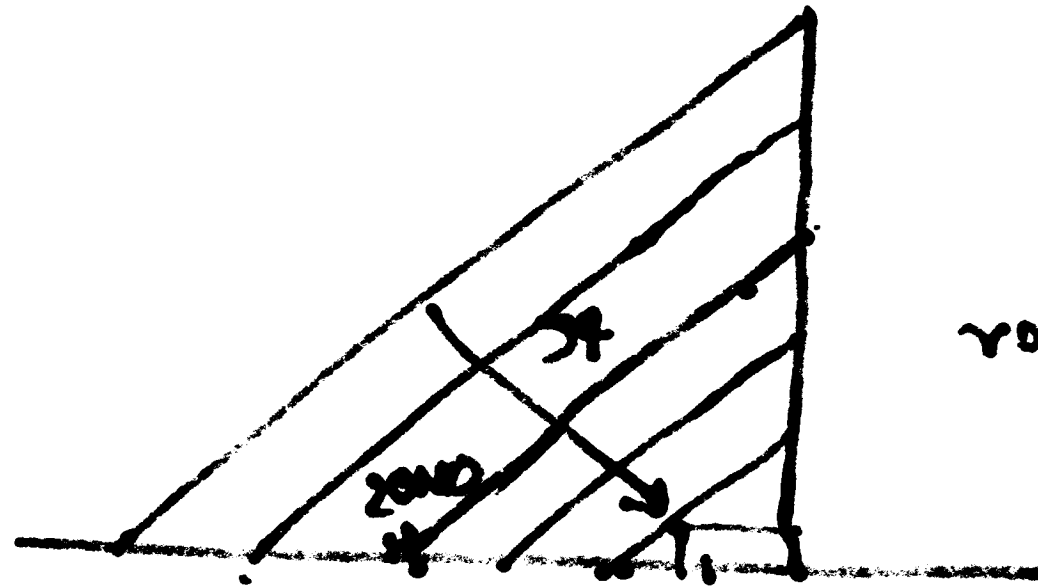


$$C_{int} = \frac{C_{ext}}{2}$$

2

$$A = L \cdot W$$





4
(four)

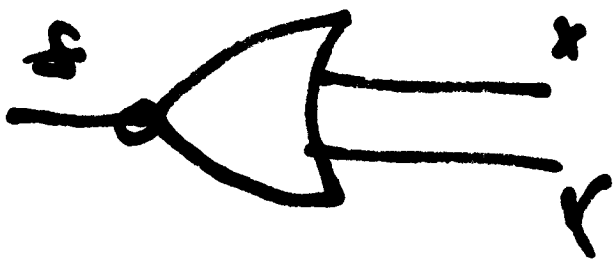
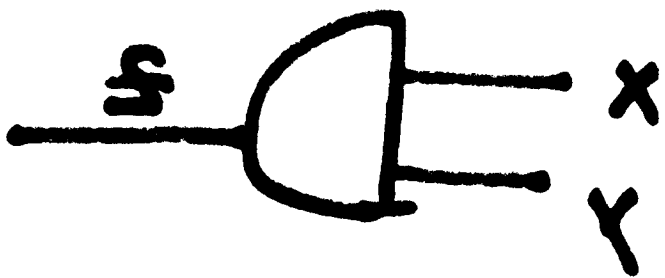
(3) 3

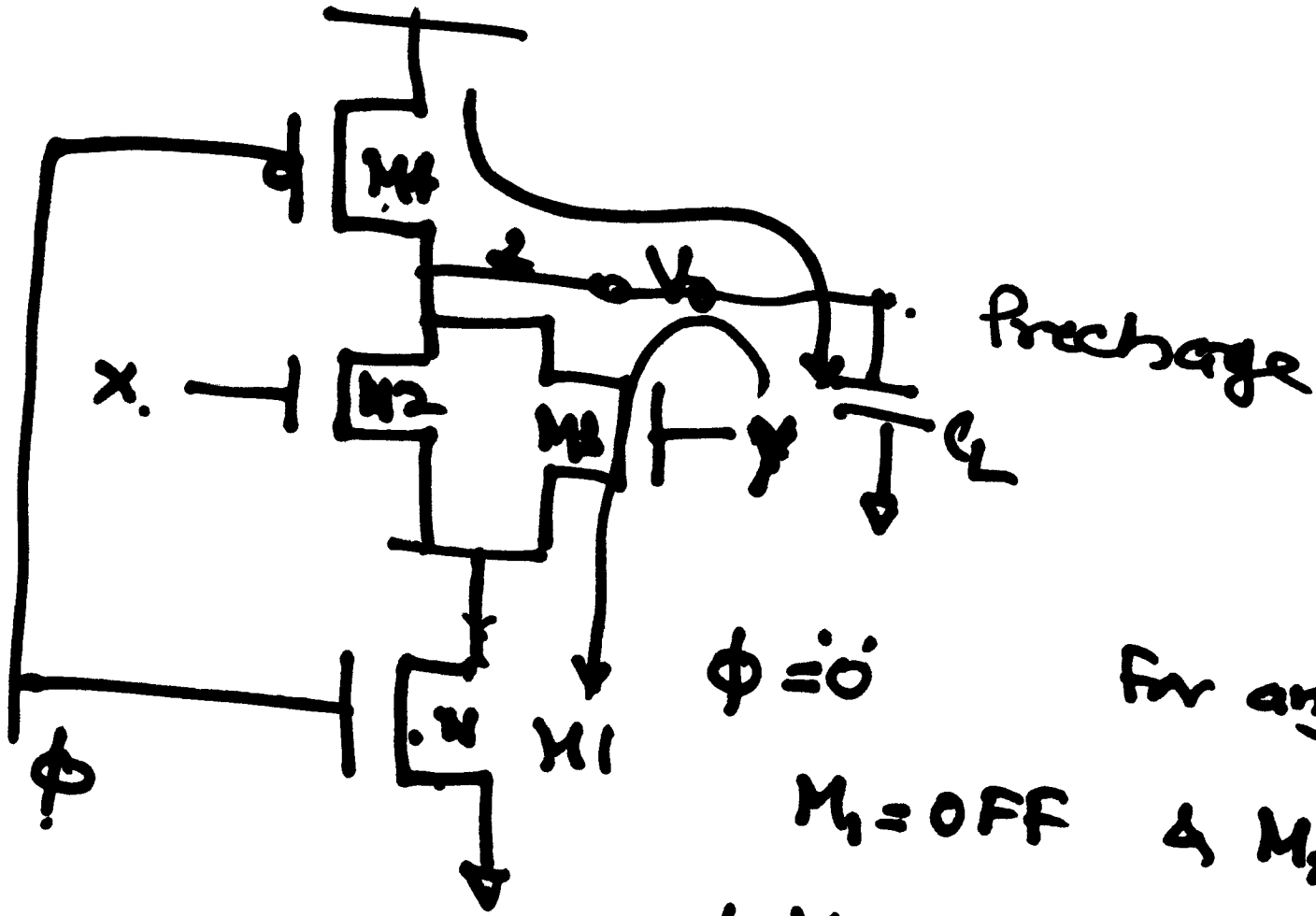
\overline{xy}
0
1
1
1

$\overline{x+y}$
0
0
0
1

Y
0
1
0
1

x \overline{xy}
0 1
0 0
1 0
1 0





Precharge

$\phi = 0$ For any input x & y
 $M_1 = \text{OFF}$ & $M_2 = \text{ON}$
 $\phi = 1$ $M_4 = \text{OFF}$
 $M_1 = \text{ON}$